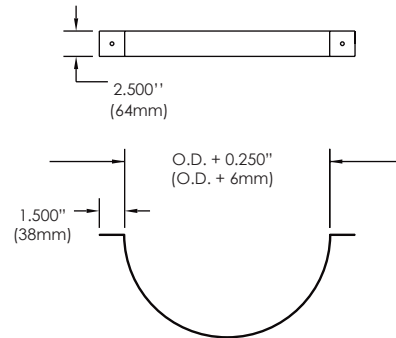


TECHNICAL DATA SHEET

HANGER BRACKET • HB

Used to support the flue in horizontal runs. To be installed by means of 3/8"Ø (19mm) threaded rods (not included). Generally installed every 5'-0" (1525mm).



AVAILABLE FOR MODELS:

IPPL/IPPL2/IPPL2F/IPPL4F

HEPL/HEPL2

GDPL/GDPL2F/GDPL4F