

TECHNICAL DATA SHEET

EXPANSION JOINT • EJ

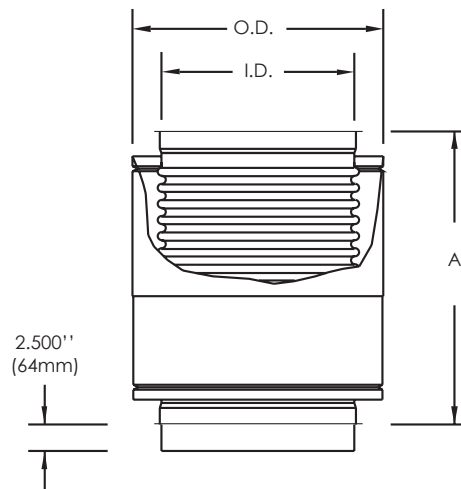
Used to compensate for linear expansion between two fixed points on engine exhaust or other high pressure applications

Includes:

1 Assembly Band (AB)

1 Finishing Band (FB)

K= same as pipe length



I.D.		A	
in	mm	in	mm
6.000 to 16.000	152 to 406	19.000	483
18.000 to 26.000	457 to 660	25.000	635
28.000 to 36.000	711 to 914	26.000	660
38.000 to 48.000	965 to 1219	30.000	762

AVAILABLE FOR MODELS:

IPP/IPPL/IPPL2/IPPL2F/IPPL4F