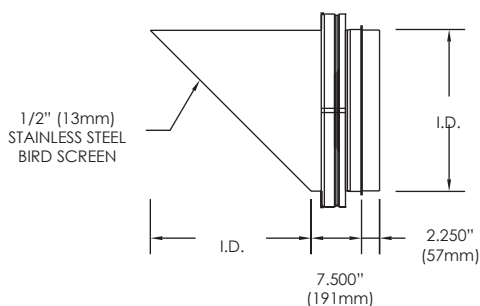


# TECHNICAL DATA SHEET

## MITER SECTION • MS

Installed at the end of the chimney in horizontal exhaust applications. To be used with engine exhaust. Diameter range from 6" (152mm) to 16" (406mm). Material thickness is the same as the chimney section it is used with. K = 1.25



**AVAILABLE FOR MODELS:**

**IPPL/IPPL2/IPPL2F/IPPL4F**

**HEPL/HEPL2**

**GDPL/GDPL2F/GDPL4F**