

# TECHNICAL DATA SHEET

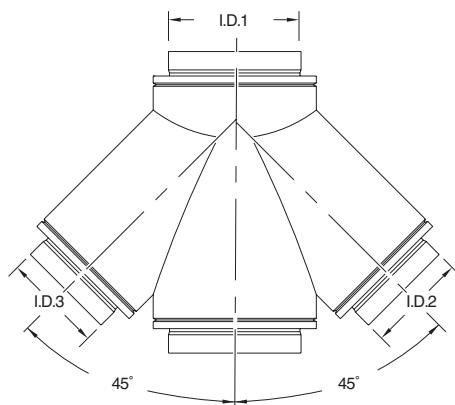
## DOUBLE TEE 45° • DT45

Used to connect two systems together with a minimum resistance to flow. A tee cap (TC) or drain-tee cap (DC) may be used to block one of the bases of the piece, for cleaning or drainage. Specify the diameters of inlets and outlets of the fitting.

**Includes:**

- 1 Assembly band (AB)
- 1 Finishing band (FB)

$K = 0.4$



**AVAILABLE FOR MODELS:**

**GDP/GDPL/GDPL2F/GDPL4F**