

TECHNICAL DATA SHEET

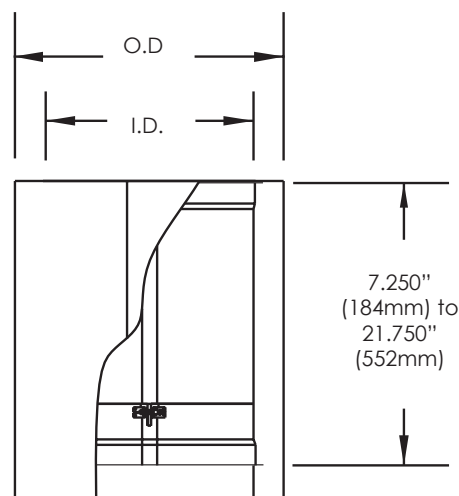
ADJUSTABLE LENGTH • AL

Used to complete on site installation precisely. It is not designed to compensate for linear expansion or to support the vertical load of the chimney.

Includes:

- 1 Assembly band (AB)
- 1 Outer wall 36" (914mm) long
- 1 Strip of insulation for GDPL2F systems

K = Same as pipe length



AVAILABLE FOR MODELS:

IPP/IPPL/IPPL2/IPPL2F/IPPL4F

HEP/HEPL/HEPL2

GDP/GDPL/GPL2F/GDPL4F