

TECHNICAL DATA SHEET

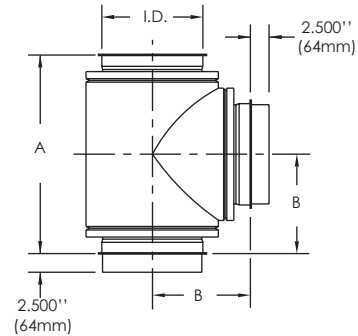
GREASE DUCT TEE 90° • GT90

For connection of vertical and horizontal lengths. May be used for the installation of a draft regulator at the point of connection between the flue and the appliance. A tee cap (TC) or drain-tee cap (DC) may be used to block one of the cleaning or drainage openings.

Includes:

- 1 Assembly band (AB)
- 1 Finishing band (FB)

K = 1.25



DOUBLE WALL - 2"					
I.D.		A		B	
in	mm	in	mm	in	mm
6	152	19	438	9.5	241
8	203	21	533	10.5	267
10	254	23	584	11.5	292
12	305	25	635	12.5	318
14	356	27	686	13.5	343
16	406	29	737	14.5	368
18	457	31	787	15.5	394
20	508	33	838	16.5	419
22	559	35	889	17.5	445
24	610	37	940	18.5	470
26	660	39	991	19.5	495
28	711	41	1041	20.5	521
30	762	43	1092	21.5	546
32	813	45	1143	22.5	572
34	864	47	1194	23.5	597
36	914	49	1245	24.5	622
38	965	51	1295	25.5	648
40	1016	53	1346	26.5	673
42	1067	55	1397	27.5	699
44	1118	57	1448	28.5	724
46	1168	59	1499	29.5	749
48	1219	61	1549	30.5	775

DOUBLE WALL - 4"					
I.D.		A		B	
in	mm	in	mm	in	mm
6	152	23.000	584	11.500	292
8	203	25.000	635	12.500	318
10	254	27.000	686	13.500	343
12	305	29.000	737	14.500	368
14	356	31.000	787	15.500	394
16	406	33.000	838	16.500	419
18	457	35.000	889	17.500	445
20	508	37.000	940	18.500	470
22	559	39.000	991	19.500	495
24	610	41.000	1041	20.500	521
26	660	43.000	1092	21.500	546
28	711	45.000	1143	22.500	572
30	762	47.000	1194	23.500	597
32	813	49.000	1245	24.500	622
34	864	51.000	1295	25.500	648
36	914	53.000	1346	26.500	673
38	965	55.000	1397	27.500	699
40	1016	57.000	1448	28.500	724
42	1067	59.000	1499	29.500	749
44	1118	61.000	1549	30.500	775
46	1168	63.000	1600	31.500	800
48	1219	65.000	1651	32.500	826

AVAILABLE FOR MODELS:

GDP/GDPL/GDPL2F/GDPL4F